

DESCRIPTION

VALMATIC™ Brass Gate Valve is designed with straight through bore type with non-rising stem, screw on bonnet. It allows operation under tough condition and is built to last. The wedge is replaceable without removing the valve from the pipelines.

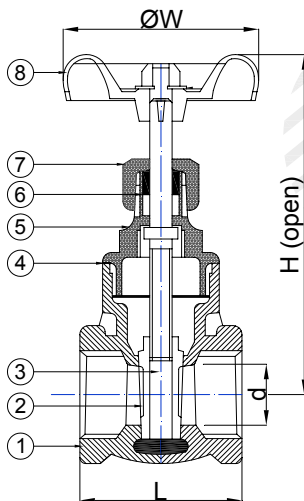
VALMATIC™ Brass Gate Valve allows for two-way flow direction and is used for closing or opening the medium flow. This valve can be installed in horizontal and vertical position in the pipelines system. The valve is applicable for Building Services, Plumbing, Air-Conditioning System, Hot Water System and General Industries.

APPLICATION

Suitable for water, oil, gases and others non-aggressive media (Refer to corrosion resistance table for valve materials selection).

SPECIFICATION

End Connection	- Screwed End BSPT
Pressure Rating	- 200 PSI maximum
Working Temperature	- Up to 120°C



MATERIALS

No.	Parts	Material
1.	Body	Forged Brass,
2.	Wedge	Brass
3.	Stem	Brass
4.	Bonnet Gasket	PTFE
5.	Bonnet	Forged Brass
6.	Packing	PTFE
7.	Packing Nuts	Brass
8.	Handwheel	Cast Iron

DIMENSIONS (mm)

Size	inch -	1/2	3/4	1	1¼	1½	2	2½	3	4
	mm -	15	20	25	32	40	50	65	80	100
L		33.5	39.5	43.5	48	51	56	67	68	76
H		61	70	78	92	98	113	140	165	200
d		12.5	16	17	23.5	28	36	42	57.5	71
ØW		54	54	61	68	68	78	96	110	127
Weight (Kg)		0.18	0.22	0.32	0.48	0.58	0.88	1.6	2.4	3.4

The specification is subject to change without further notice



VALMATIC ENGINEERING SDN BHD

35, Jalan Layang Layang 4, Puchong Jaya Industrial Park,
Bandar Puchong Jaya, 47100 Puchong,
Selangor, Malaysia

(369320 W)

Tel : 603-5882 6683
Fax : 603-5882 8366
Email : vmatic@pd.jaring.my
http : www.valmatic.com.my