



DESCRIPTION

VALMATIC™ Cast Iron Foot Valve provides high tightness during valve closure. This valve is installed at the pumps suction pipe to prevent fluids from anti syphon when the pumps stop. It is also featured with a stainless steel screen, protecting pumping equipment from the entry of foreign objects of damaging impellers and others pump components.

VALMATIC™ Cast Iron Foot Valve is designed with compact construction and is maintenance free. This Valve is widely used in process industries such as Palm Oil and Refinery Plant, Petrochemical, Water Treatment Plant and Cooling System.

APPLICATION

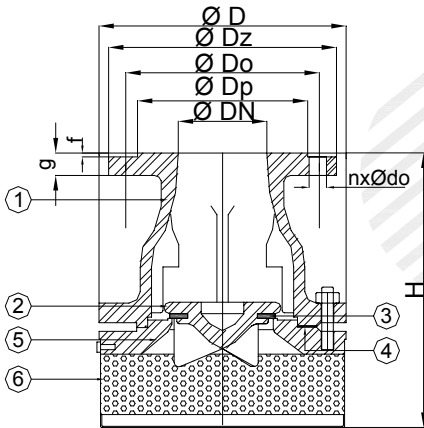
Suitable for water, oil and others non-aggressive media (Refer to corrosion resistance table for valve materials selection).

SPECIFICATION

| | |
|-----------------------------|----------------------------------|
| End Connection | - Flanged End to DIN 2526 PN 10 |
| Pressure Rating | - PN 10 |
| Working Temperature | - Up to 90°C |
| Test Pressure (Hydrostatic) | - Body - 15 Bar Seat - 11 Bar |

MATERIALS

| No. | Parts | Material |
|-----|-----------|--------------------------------------|
| 1. | Body | Cast Iron EN-GJL-250 |
| 2. | Disc | Cast Iron EN-GJL-250 |
| 3. | Disc Ring | EPDM Rubber |
| 4. | Gasket | EPDM Rubber |
| 5. | Bonnet | Cast Iron EN-GJL-250 |
| 6. | Screen | Stainless Steel X5CrNi 18-10, 1.4301 |



DIMENSIONS (mm)

| Size (DN) | 40 | 50 | 65 | 80 | 100 | 125 | 150 | 200 | 250 | 300 |
|--------------------|-----|-----|------|-----|-----|------|-----|-----|-----|-----|
| H | 155 | 175 | 215 | 265 | 315 | 335 | 415 | 500 | 625 | 785 |
| ØD | 170 | 180 | 200 | 240 | 270 | 310 | 360 | 440 | 520 | 570 |
| ØDz | 150 | 165 | 185 | 200 | 220 | 250 | 285 | 340 | 395 | 445 |
| ØDo | 110 | 125 | 145 | 160 | 180 | 210 | 240 | 295 | 350 | 400 |
| ØDp | 88 | 102 | 122 | 138 | 158 | 188 | 212 | 268 | 320 | 370 |
| g | 18 | 20 | 20 | 22 | 22 | 24 | 24 | 26 | 28 | 28 |
| f | 3 | 3 | 3 | 3 | 3 | 3 | 3 | 3 | 3 | 4 |
| Ødo | 18 | 18 | 18 | 18 | 18 | 18 | 22 | 22 | 22 | 22 |
| n | 4 | 4 | 4 | 8 | 8 | 8 | 8 | 8 | 12 | 12 |
| Weight (Kg) | 8.5 | 9.5 | 12.5 | 18 | 26 | 32.5 | 43 | 74 | 107 | 150 |

The specification is subject to change without further notice



VALMATIC ENGINEERING SDN BHD

35, Jalan Layang Layang 4, Puchong Jaya Industrial Park,
Bandar Puchong Jaya, 47100 Puchong,
Selangor, Malaysia

(369320 W)

Tel : 603-5882 6683
Fax : 603-5882 8366
Email : vmatic@pd.jaring.my
http : www.valmatic.com.my