



DESCRIPTION

VALMATIC™ Ductile Iron Globe Valve is screw-in bonnet type and inside screw with rising stem. They are destined for closing or throttling medium flow.

VALMATIC™ Ductile Iron Globe Valve can be installed in any position on the pipeline, paying attention to correct flow direction of medium that should be in accordance with marking on the body. It is applicable in Industrial Plant, Building Services Industry and Heating System.

APPLICATION

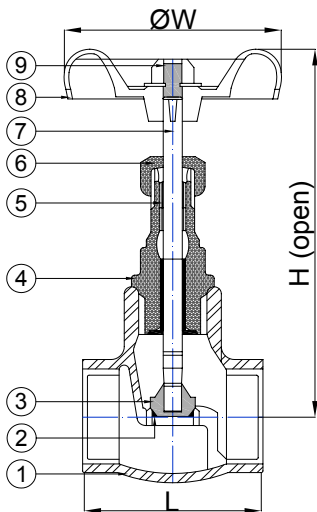
Suitable for water, steam, oil, gases and non-aggressive media (Refer to corrosion resistance table for valve materials selection).

SPECIFICATION

Face To Face Dimension	- JIS B 2051
End Connection	- Screwed End BSPT Thread
Pressure Rating	- 16 kgf/cm ²
Working Temperature	- Up to 350°C
Actuation	- Handwheel Operated
Test Pressure (Hydrostatic)	- Body - 35 kgf/cm ² Seat - 25 kgf/cm ²

MATERIALS

No.	Parts	Material
1.	Body	Ductile Iron FCD 450
2.	Seat Ring	SUS 410
3.	Disc	SUS 410
4.	Bonnet	Ductile Iron FCD469
5.	Gland Packing	Graphite
6.	Gland	Ductile Iron FCD 450
7.	Stem	SUS 410
8.	Handwheel	Ductile Iron FCD450
9.	Wheel Nut	SS 41



DIMENSIONS (mm)

Size	inch-mm-	3/8	1/2	3/4	1	1¼	1½	2
		10	15	20	25	32	40	50
L		60	65	80	90	105	120	140
H (Open)		97	97	107	122	144	162	190
ØW		63	63	80	100	125	125	140
Weight (Kg)		0.4	0.42	0.7	1.0	1.9	2.2	3.6

The specification is subject to change without further notice



VALMATIC ENGINEERING SDN BHD

35, Jalan Layang Layang 4, Puchong Jaya Industrial Park,
Bandar Puchong Jaya, 47100 Puchong,
Selangor, Malaysia

(369320 W)

Tel : 603-5882 6683
Fax : 603-5882 8366
Email : vmatic@pd.jaring.my
http : www.valmatic.com.my