



DESCRIPTION

VALMATIC™ Simplex Bucket Type Strainer is used to strain foreign matter from pipe lines and provide inexpensive protection for costly pumps, meters, valves and similar mechanical equipment. It has a strong construction screen with an extra large screen area within the body assuring free flow of fluid with minimal head loss. These strainers have been designed for application where easy maintenance with minimum down time for cleaning and large capacity straining is needed.

VALMATIC™ Simplex Bucket Type Strainer is furnished in heavy gauge perforated stainless steel reinforced basket and fitted with handles for easy removal. It is widely used in process industries such as Palm Oil and Refinery Plant, Food Industries, Petrochemical and Cooling System.

APPLICATION

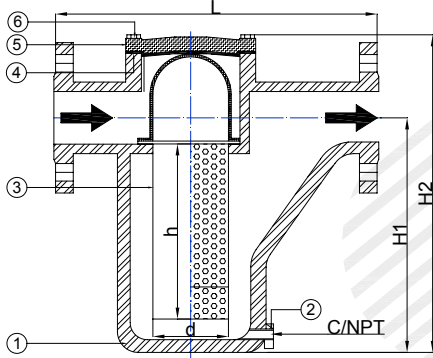
Suitable for water, steam, oil, gases and others non-aggressive media (Refer to corrosion resistance table for valve materials selection).

SPECIFICATION

End Connection	- Flanged End to ANSI 150, ANSI 300, DIN PN 16, PN 40, JIS 10k, JIS 20K
Pressure Rating	- Class 150 and Class 300
Screen Size	- 40 Mesh, 60 Mesh and 80 Mesh

MATERIALS

No.	Parts	Material			
1.	Body	Cast Iron	WCB	CF8	CF8M
2.	Drain Plug	FCMB	A104	SUS 304	SUS 316
3.	Screen	SUS 304	SUS 304	SUS 304	SUS 316
4.	Gasket	PTFE	PTFE	PTFE	PTFE
5.	Cover	Cast Iron	WCB	CF8	CF8M
6.	Bolt	SS41	A193B7	SUS 304	SUS 316



PRESSURE-TEMPERATURE RATINGS

Pressure Rating And Material	Material			
	Cast Iron A126-B	Cast Steel A216 WCB	Stainless Steel CF8	Stainless Steel CF8M
Class 150 Rating	125 PSI @ 220°C 200 PSI @ 38°C	150 PSI @ 300°C 285 PSI @ 38°C	150 PSI @ 300°C 275 PSI @ 38°C	150 PSI @ 300°C 275 PSI @ 38°C
Class 300 Rating	—	290 PSI @ 220°C 740 PSI @ 38°C	435 PSI @ 350°C 720 PSI @ 38°C	435 PSI @ 350°C 720 PSI @ 38°C

Service temperature limited to 205° C with PTFE gasket. For high temperature application, please consult your local sales representative.

DIMENSIONS (mm)

Size	inch - mm -	3/4	1	1½	2	2½	3	4	5	6	8	10	12
		20	25	40	50	65	80	100	125	150	200	250	300
Class 150 Rating	L	188	215	235	260	330	355	405	545	556	650	802	980
	H1	105	130	146	183	190	260	305	435	540	640	750	750
	H2	146	180	210	260	287	350	420	582	700	820	950	950
	h	75	90	100	120	165	180	220	280	400	450	485	520
	d	41	50	63	75	96	96	110	130	168	210	280	310
Class 300 Rating	L	186	212	233	260	330	350	400	540	556	650	810	980
	H1	103	130	144	178	190	250	300	410	555	560	750	760
	H2	146	216	233	265	287	375	460	582	726	820	865	1020
	h	75	100	130	165	165	200	200	280	400	450	485	520
	d	41	76	76	96	96	140	140	130	164	210	260	310
C/NPT (inch)		1/4	1/4	3/8	3/8	3/8	1/2	1/2	1/2	3/4	3/4	1	1

The specification is subject to change without further notice



VALMATIC ENGINEERING SDN BHD

35, Jalan Layang Layang 4, Puchong Jaya Industrial Park,
Bandar Puchong Jaya, 47100 Puchong,
Selangor, Malaysia

(369320 W)

Tel : 603-5882 6683
Fax : 603-5882 8366
Email : vmatic@pd.jaring.my
http : www.valmatic.com.my