

DESCRIPTION

VALMATIC™ Stainless Steel Three Piece Body Ball Valve is made of investment casting for body and end cap. The valves is featured with pre-load 2 Belleville washers to keep the stem seals tight at all time and blow-out proof anti-static stem design for maximum security and safety. The valves are standard with full bore design to provide straight through flow with very low head loss. Padlocking device is included as a standard feature for secured operation.

VALMATIC™ Stainless Steel Three Piece Body Ball Valve is widely used in Industrial Plant, Food Industries, Rubber Glove Industries, Petrochemical Plant, Building Services, Palm Oil and Refinery Plant.

APPLICATION

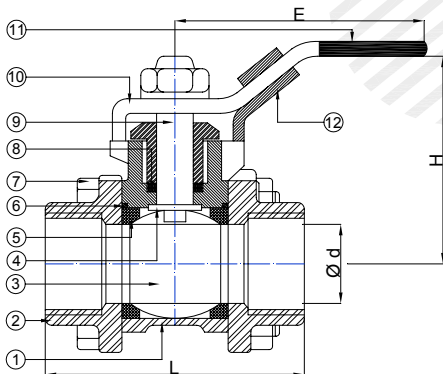
Suitable for water, steam, oil, gases and non-aggressive media (Refer to corrosion resistance table for valve materials selection).

SPECIFICATION

Face To Face Dimension	- DIN 3202
End Connection	- BSPT (Standard), Butt Weld (optional)
Working Pressure	- 1/4" - 2" 1000 PSI WOG 2 1/2" - 4" 800 PSI WOG
Working Temperature	- Up to 210°C
Actuation	- Lever Operated (Standard) Gear Operated, Pneumatic or Electric Actuator is upon request.

MATERIALS

No.	Parts	Material
1.	Body	ASTM A-351 Grade CF8M
2.	End Cap	ASTM A-351 Grade CF8M
3.	Ball	ASTM A-351 Grade CF8M
4.	Thrust Washer	PTFE
5.	Seat Ring	25% Glass filled TFE
6.	Body Seal	25% Glass filled TFE
7.	Bolt	SS304
8.	Stem Seal	PTFE
9.	Stem	SS316
10.	Handle	SS304
11.	Handle Cover	Plastic
12.	Locking Pad	SS304



DIMENSIONS (mm)

Size	1/4	3/8	1/2	3/4	1	1 1/4	1 1/2	2	2 1/2	3	4
Ød	11.5	12.5	15	20	25	32	38	50	65	80	100
L	54	54	60	68	81	95	102	125	167	182	225
H	56	56	59	62	68	88	100	108	125	136	160
E	106	106	126	126	126	126	150	181	220	250	298
Torque (Nm)	5.7	5.7	6.8	10.2	17	22.6	28.3	36.2	56.5	67.8	90.4
Weight (Kg)	0.41	0.42	0.65	0.8	1.2	2.05	2.8	4.35	8.4	14.5	26.5

Torque data given above is based on operating torque of the ball valve

The specification is subject to change without further notice



VALMATIC ENGINEERING SDN BHD

35, Jalan Layang Layang 4, Puchong Jaya Industrial Park,
Bandar Puchong Jaya, 47100 Puchong,
Selangor, Malaysia

(369320 W)

Tel : 603-5882 6683
Fax : 603-5882 8366
Email : vmatic@pd.jaring.my
http : www.valmatic.com.my