



DESCRIPTION

VALMATIC™ Ball Valve is two piece body designed to allow maintenance on all internal parts. It is also featured with anti blow-out stem for safety purpose. The valves are with full bore designed to provide straight through flow with very minimal head loss and tight sealed off.

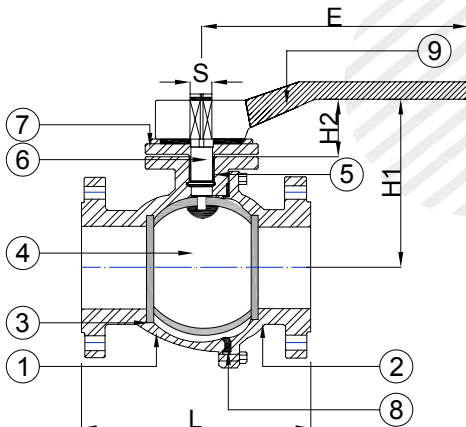
VALMATIC™ Two Piece Body Ball Valve can be installed in vertical and horizontal positions on the piping system. It is used successfully in Palm Oil and Refinery Plant, Water and Sewerage Industries.

APPLICATION

Suitable for water, steam, oil, gases and non-aggressive media (Refer to corrosion resistance table for valve materials selection).

SPECIFICATION

Face To Face Dimension	- ANSI B16.10
End Connection	- Flanged End to B16.5 ANSI 150
Pressure Rating	- Class 150
Working Temperature	- Up to 200°C
Actuation	- Lever operated (Standard)
Optional	- Gear Box, Pneumatic or Electric Actuated
Ball design	- 1/2" to 2" with solid ball design 2½" to 12" with hollow ball design (Solid ball upon request)



MATERIALS

No.	Parts	Material			
		Cast Iron	WCB	CF8	CF8M
1.	Body	Cast Iron	WCB	CF8	CF8M
2.	Body Cap	Cast Iron	WCB	CF8	CF8M
3.	Seat	RPTFE	RPTFE	RPTFE	RPTFE
4.	Ball	SS41	SS41	SUS 304	SUS 316
5.	Stem Packing	RPTFE	RPTFE	RPTFE	RPTFE
6.	Stem	SUS 304	SUS 304	SUS 304	SUS 316
7.	Packing Gland	Cast Iron	WCB	CF8	CF8M
8.	Join Gasket	RPTFE	RPTFE	RPTFE	RPTFE
9.	Lever	Cast Iron	Cast Iron	Cast Iron	Cast Iron

Note : 25% Glass Reinforced TFE Seat is available upon request

DIMENSIONS (mm)

Size	inch - mm -	1/2	3/4	1	1¼	1½	2	2½	3	4	5	6	8	10	12
		15	20	25	32	40	50	65	80	100	125	150	200	250	300
L		108	117	127	140	165	178	190	203	230	356	394	457	533	620
H1		81	86	86	92	110	118	142	155	170	218	236	265	340	382
H2		34	34	34	34	44	47	55	55	55	70	70	70	85	90
E		175	175	175	175	230	230	340	340	340	700	700	700	800	950
S		12	12	12	12	16	16	19	19	19	25	25	25	35	35
Torque (Nm)		4.2	5.7	8.3	13.7	15.7	20.6	34	51	69	245	294	373	500	608
Weight(Kg)		2.5	3.0	4.5	5.7	7.0	10.0	14.0	18.0	26.0	38.0	57.0	93.0	147	200

Torque data given above is based on operating torque of the ball valve

The specification is subject to change without further notice



VALMATIC ENGINEERING SDN BHD

35, Jalan Layang Layang 4, Puchong Jaya Industrial Park,
Bandar Puchong Jaya, 47100 Puchong,
Selangor, Malaysia

(369320 W)

Tel : 603-5882 6683
Fax : 603-5882 8366
Email : vmatic@pd.jaring.my
http : www.valmatic.com.my