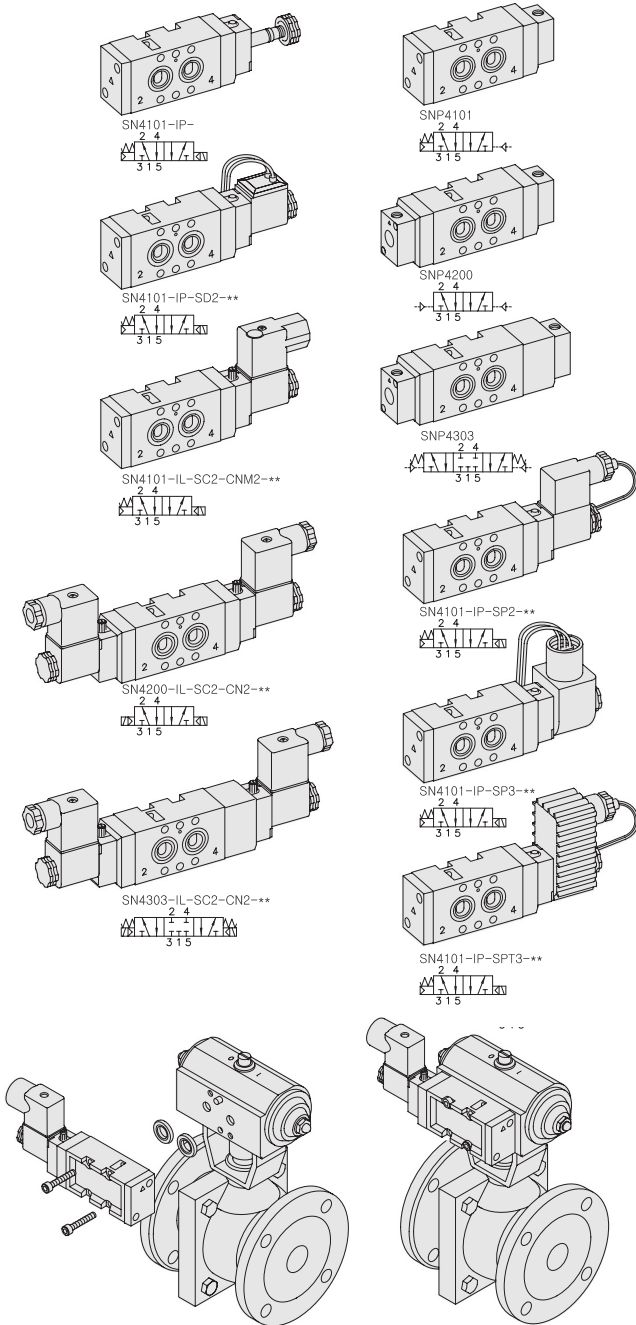


SN4000. 1/4

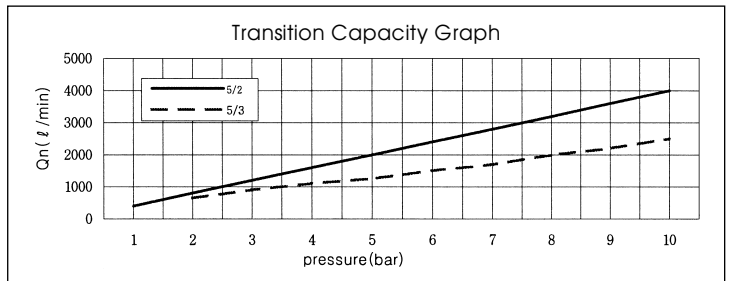
NAMUR Interface
Solenoid / Pneumatic Valves

- 5/2, 5/3-1/4
- 30mm Body Width
- Transition Flow 1800ℓ/min (5bar)

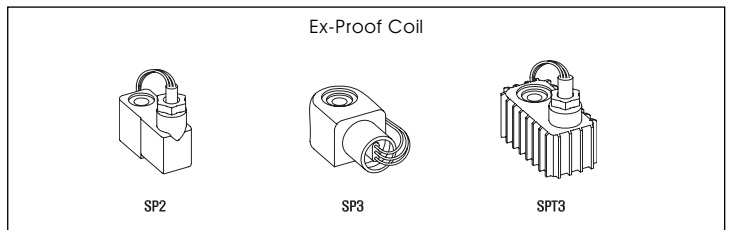


SPECIFICATION

ITEM	SERIES	SOLENOID, PNEUMATIC	
		5 Port 2 Position	5 Port 3 Position
Fluids		Compressed Air & Inert Gases	
Pressure(bar)		1.5~10.0	2.0~10.0
Eff. Sectional Area(mm ²)-5bar		32.0	16.0
Ambient & Fluid Temp.		5~60°C (41~140°F)	
Response Time(5bar)		30ms or Less	40ms or Less
Max. Working Frequency		5c/sec	3c/sec
Lubrication		Not Required(Use ISO VG32 #)	
Manual Override		Push Button(Standard), Lever Lock(Option)	
Coil Insulation Class		F-Class or Equivalent	
Permissible Voltage Variation		±10% of Rated Voltage	
Off Min. Residual Voltage		AC:20% or Less / DC:10% or Less	
Power Consumption		Holding-AC:5.5VA(60Hz) / DC:2.5W	



- ### The Material of Parts
- Valve Body : Die-Cast Aluminium
 - Spool : Aluminium
 - Seals : NBR
 - Spring : Stainless
 - Cap : Zinc Pressure Die-Cast
 - Pilot Parts : Glass Filled Nylon
 - Armature : Stainless Steel
 - Armature Seals : Viton

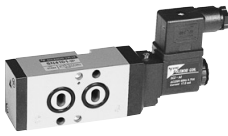
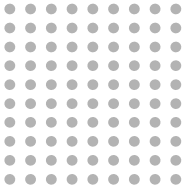


* The specification on each item can be amended without any prenotice to improve a performance.
* The specification on each item can be different from actual specification.

ORDERING NO.

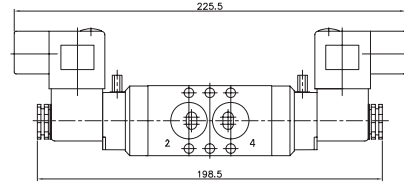
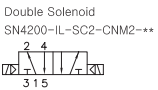
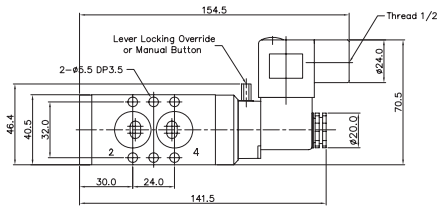
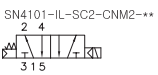
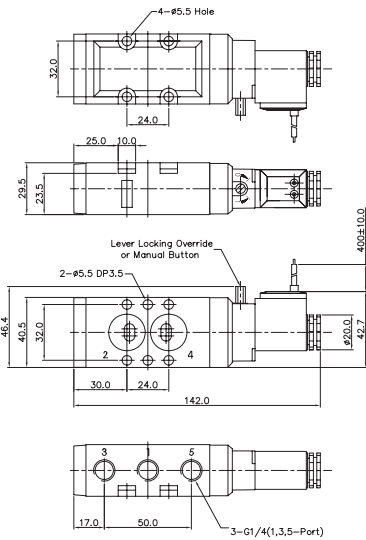
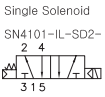
SN4 1 0 1 - I P - SC2 - CN2 - A2

Valve Series	Function	Port Size & Thread	Return Method	Int/Ext. Pilot	Manual Operator	Solenoid Coil Type	Connector Type	Voltage
SN4 : Solenoid Valve	1 5/2 Single	0 G 1/4	0 None	I Internal Pilot	O None	O None	O None	O None
	2 5/2 Double	1 NPT 1/4	1 Air + Spring		P Push	SC2 3 Pin Connector Coil	CN2 Normal Connector	A2 AC 220V
	3 5/3 Closed Center		2 Air		Non-Locking	SG2 Grommet/Flying Leads	CD2 Connector With LED	A1 AC 110V
	4 5/3 Open Center		3 Spring		L Lever Locking	SD2 Grommet/Flying Leads With LED	CZ2 Connector With LED & Surge Suppressor	A4 AC 24V
SNP4 : Pneumatic Valve	5 5/3 Pressure Center					SP2 22mm 방폭코일	CNM2 Metal Connector	D4 DC 24V
						SP3 36mm 방폭코일	CDM2 Metal Connector With LED	D2 DC 12V
						SPT3 36mm 방폭코일	CZM2 Metal Connector With LED & Surge Suppressor	

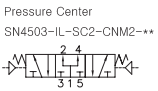
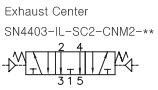
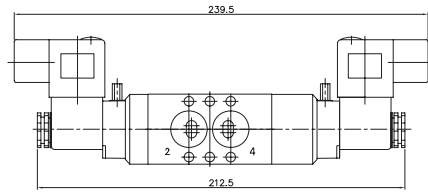
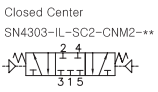


Solenoid & Pilot Actuated Spool Valves

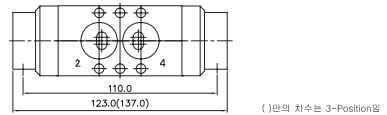
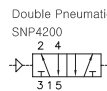
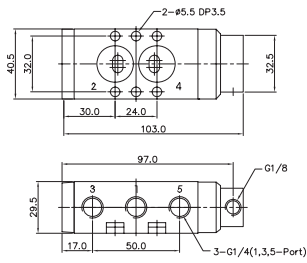
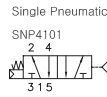
5Port 2Position Solenoid Valve



5Port 3Position Solenoid Valve

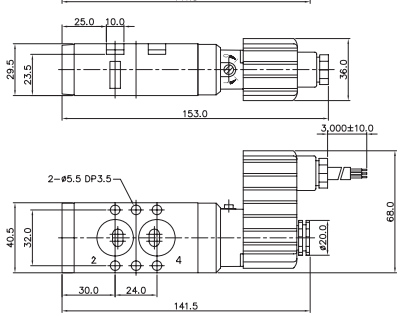
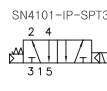
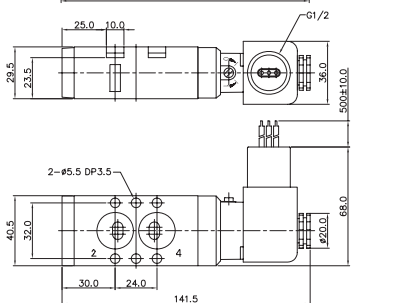
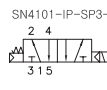
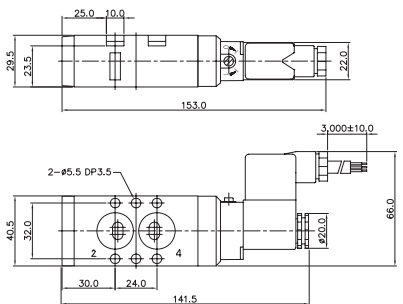
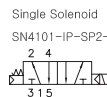


5Port 2Position & 3Position Pneumatic Valve

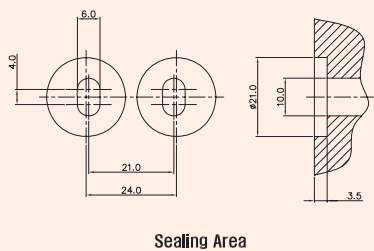


()안의 치수는 3-Position일

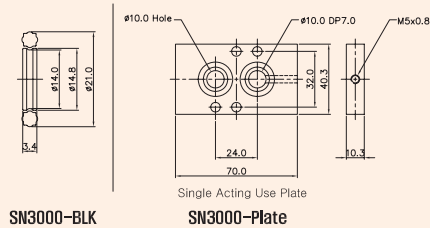
5Port 2Position Ex-proof Solenoid Valve



Sealing Part Dimension



3-Port Blanking Part (Material : AI)



Metal Connector (Material : ZnDC)

