



APPLICATION

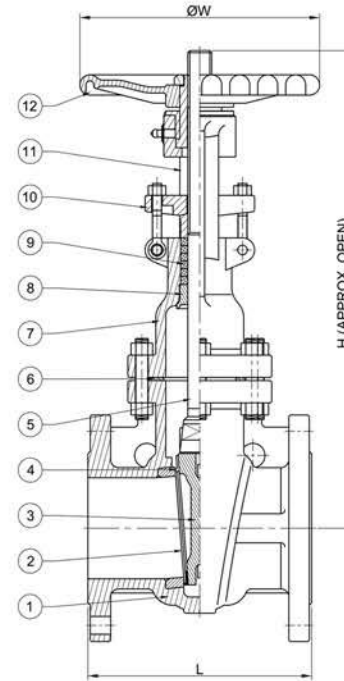
Suitable for crude oil, water, steam, gases and others non-abrasive media
(Refer to corrosion resistance table for valve materials selection).

SPECIFICATION

Face to Face Dimension ASME B16.10
Standard Compliance Conform to MSS SP-70 Class 125
End Connection Flanged End to B16.5 ANSI 150, PN16, JIS10K

MATERIALS

PARTS	FIG. 6R1
1. Body	Cast Iron ASTM A126B
2. Seat Ring	Stainless Steel 13%Cr.
3. Wedge	Cast Iron ASTM A126B
4. Wedge Ring	Stainless Steel 13% Cr.
5. Stem	Stainless Steel 13% Cr.
6. Bonnet Gasket	Graphite with Steel
7. Bonnet	Cast Iron ASTM A126B
8. Bonnet Bush	Stainless Steel 13% Cr.
9. Packing	Graphite
10. Gland	Ductile Iron ASTM A536
11. Yoke	Cast Iron ASTM A126B
12. Handwheel	Cast Iron ASTM A126B



GATE VALVE RISING STEM CAST IRON



FIG 6R1

PRESSURE-TEMPERATURE RATINGS ACC. MSS STANDARD PRACTICE SP-70, SP-71 AND SP-85

Pressure Rating	Temperature				
	60°C	120°C	160°C	200°C	230°C
Valve Size 2" - 12"	14 Bar	12 Bar	10 Bar	9 Bar	8 Bar
Valve Size 14" - 24"	10 Bar	8 Bar	7 Bar	—	—

DIMENSIONS (mm)

Size (inch)	1½	2	2½	3	4	5	6	8	10	12	14	16	18	20	24
L	165	178	190	203	229	254	267	292	330	356	381	406	432	457	508
H	290	320	345	387	490	576	680	808	1010	1080	1258	1385	1545	1688	2342
ØW	180	200	200	200	254	300	300	345	400	450	505	556	610	610	700
Weight (Kg)	15.3	20	26	32	50	70	89	141	218	315	457	570	735	990	1341

*The specifications are subject to change without further notice