



APPLICATION

Suitable for water, steam, oil, gases and non-abrasive media
(Refer to corrosion resistance table for valve materials selection).

SPECIFICATION

Face to Face Dimension	ANSI B16.10
End Connection	Flanged End ANSI 150, JIS 10K
Pressure Rating	Class 150 & 300, JIS 10K
Working Temperature	Up to 160°C
Actuation	Lever operated (Standard)
Optional	Gear Box, Pneumatic or Electric Actuated
Ball Design	½" to 2" with solid ball design 2½" to 12" with hollow ball design (solid ball on request)

MATERIALS

PARTS	FIG. 221	FIG. 22	FIG. 226	FIG. 227
1. Body	Cast Iron	WCB	CF8	CF8M
2. Body Seal	RPTFE	RPTFE	RPTFE	RPTFE
3. Seat	PTFE	PTFE	PTFE	PTFE
4. Ball	SS 304	SS 304	SS 304	SS 316
5. Body Cap	Cast Iron	WCB	CF8	CF8M
6. Stem Packing	RPTFE	RPTFE	RPTFE	RPTFE
7. Stem	SS 304	SS 304	SS 304	SS 316
8. Gland	Cast Iron	WCB	CF8	CF8M
9. Lever	Cast Iron	Cast Iron	St. Steel	St. Steel

*Note : 25% Glass Reinforced TFE Seat is available upon request.

DIMENSIONS (mm)

Size	inch	1/2	3/4	1	1¼	1½	2	2½	3	4	5	6	8	10	12
	mm	15	20	25	32	40	50	65	80	100	125	150	200	250	300
L		108	117	127	140	165	178	190	203	230	356	394	457	533	620
H1		81	86	86	92	110	118	142	155	170	218	236	265	340	382
H2		34	34	34	34	44	47	55	55	55	70	70	70	85	90
E		175	175	175	175	230	230	340	340	340	700	700	700	800	950
S		12	12	12	12	16	16	19	19	19	25	25	25	35	35
Torque (Nm)		6	10	16	26	32	45	70	81	167	333	392	470	598	715
Weight (Kg)		2.5	3.0	4.5	5.7	7.0	10.0	14.0	18.0	26.0	38.0	57.0	93.0	147	200

*Torque data given above is based on breaking torque of the ball valve
*The specifications are subject to change without further notice

BALL VALVE TWO PIECE BODY (ANTI-STATIC) CAST IRON / CARBON STEEL / STAINLESS STEEL

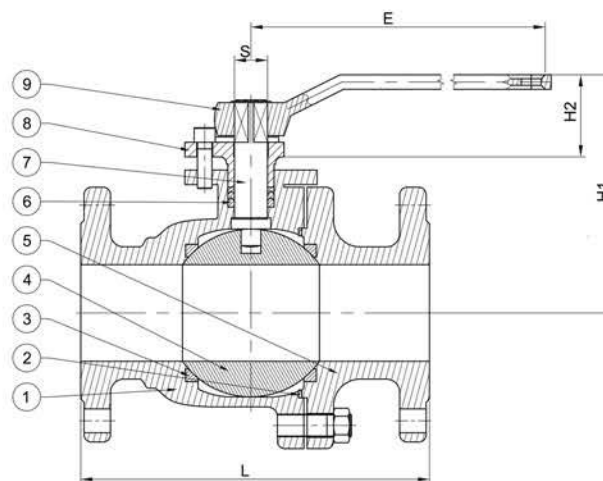


FIG 221



FIG 227