



APPLICATION

Suitable for water, oil, air, gases and others non-abrasive media
(Refer to corrosion resistance table for valve materials selection).

SPECIFICATION

Face to Face Dimension	BS EN 558-1, MSS SP67 and API 609
Standard Compliance	Conform to BS EN593, MSS SP67
End Connection	Lug type to suit DIN, BS, ANSI and JIS Flanges
Pressure Rating	16 Bar for DN 50 to DN 600 10 Bar for DN 700 to DN 1200
Temperature (Seat)	-10°C to 80°C NBR -15°C to 110°C EPDM -10°C to 150°C Viton
Top Flange Dimensions	ISO 5211
Actuation	Lever Operated for DN 50 to DN 200 (Gear Operated on Request) Gear Operated for DN 250 & above Pneumatic or Electric Actuated
Optional	

MATERIALS

PARTS	FIG.3L
1. Body	*Cast Iron / Ductile Iron / Carbon Steel / St. Steel
2. Bushing	*PTFE
3. Seat	*NBR (Buna-N) / EPDM / Viton / PTFE (Teflon)
4. Disc	*Ductile Iron / Al. Bronze / Stainless Steel
5. Taper Pin	Stainless Steel
6. O-Ring	NBR (Buna-N) Rubber
7. Shaft	*Stainless Steel AISI 410 / AISI 304 / AISI 316L

*Note : Standard Material

FLOW COEFFICIENTS (Cv VALUE)

Opening Angle (Degree)	Size (mm)														
	50	65	80	100	125	150	200	250	300	350	400	450	500	600	
10°	0.1	0.2	0.3	0.5	0.8	2	3	4	5	6	8	11	14	22	
20°	5	8	12	17	29	45	89	151	234	338	464	615	791	1222	
30°	12	20	22	36	61	95	188	320	485	715	983	1302	1674	2587	
40°	24	37	39	78	133	205	408	694	1072	1549	2130	2822	3658	5605	
50°	45	65	70	139	237	366	727	1237	1911	2761	3797	5028	6465	9989	
60°	64	98	116	230	392	605	1202	2047	3162	4568	6282	8320	10698	16528	
70°	90	144	183	364	620	958	1903	3240	5005	7230	9942	13168	16931	26157	
80°	125	204	275	546	930	1437	2854	4859	7507	10844	14913	19752	25396	39236	
90°	135	220	302	600	1022	1579	3136	5340	8250	11917	16388	21705	39236	43116	

*The Cv Value is the water flow rate in USGPM at 68°F which passing through the valve cause a pressure drop of 1 PSI

BUTTERFLY VALVE RUBBER LINED LUG TYPE

CAST IRON / DUCTILE IRON / STAINLESS STEEL

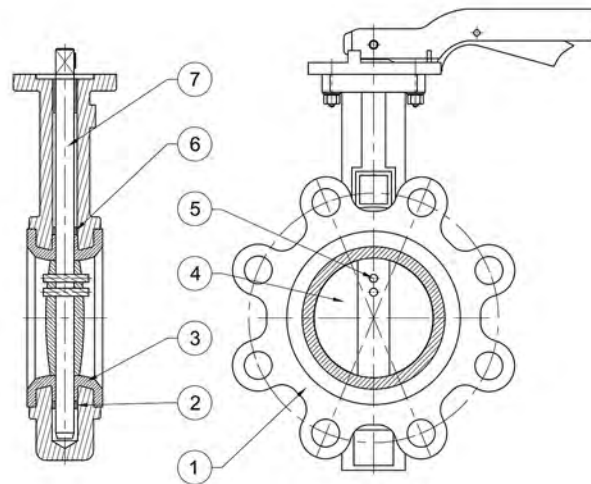


FIG 3L

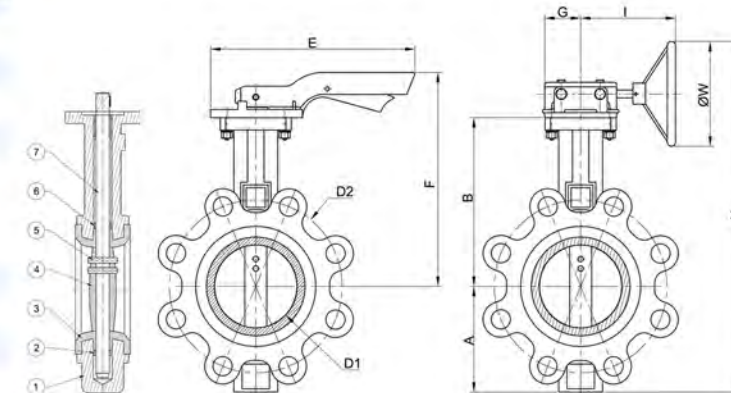


BUTTERFLY VALVE RUBBER LINED LUG TYPE CAST IRON / DUCTILE IRON / STAINLESS STEEL

DIMENSIONS (mm)

SIZE (mm)	50	65	80	100	125	150	200	250	300	350	400	450	500	600
L	43	46	46	52	56	56	60	68	78	78	102	114	127	154
A	112	121	127	146	159	171	220	248	287	312	363	378	417	526
B	161	175	181	200	213	226	260	292	337	368	400	422	480	562
D1	53	64	79	104	123	156	202	250	302	333	390	441	492	530
D2 (ANSI 150)	121	140	152	191	216	241	299	362	432	476	540	578	635	749
D2 (PN 16)	125	145	160	180	210	240	295	355	410	470	525	585	650	770
E	35	35	35	35	35	35	44	-	-	-	-	-	-	-
F	267	267	267	267	267	267	361	-	-	-	-	-	-	-
G	53	53	53	53	53	53	84	84	77	77	130	133	138	138
H	385	408	420	458	484	509	672	732	817	873	975	1062	1206	1365
I	148	148	148	148	148	148	226	226	238	238	270	277	338	338
ØW	150	150	150	150	150	150	300	300	300	300	300	400	400	400
Weight (Kg)	4	5	8	10	11	13	25	33	47	65	90	130	165	220

*Valve size DN 700 to DN 1200 upon request.



I-TORK ELECTRIC ACTUATOR SPECIFICATION

Enclosure Weatherproof IP 67, NEMA 4 and 6
Main Power Supply 110/220VAC, 1 Ph, 50/60 Hz +/- 10%
380/440VAC, 3 Ph, 50/60 Hz +/- 10%

Motor Squirrel Cages induction motor
Limit Swiches 2 each for Open and Close (SPDT 250VAC/10A Rating)
Torque Switches 1 each for Open and Close (except ITQ 0080 & 0100)
Stall Protection Built-in Thermal Protection
Travel Angle 90° +/- 5° (0 to 100%)

Position Indicator Continuous mechanical indicator with arrow
Manual Override De-clutchable (except ITQ 0080)
Space Heater 5W (110/220 VAC) for anti-condensation
Cable Entries PF 3/4" TAP (except ITQ 0080 2-M20 X 1.5)
Ambient Temperature Up to 70°C (with position controller up to 60°C)
Ambient Humidity 90% RH maximum (non-condensing)
Optional Explosion proof, Remote Position Control,
Local Control



OPERATING TORQUE (Nm) AND RECOMMENDED ELECTRIC ACTUATOR

SIZE (mm)	50	65	80	100	125	150	200	250	300	350	400	450	500	600
At 10 Bar ΔP	12	15	26	40	100	110	190	200	330	500	900	1200	2400	3900
Actuator (ITQ)	0040	0040	0040	0080	0160	0160	0240	0240	0350	0800	1100	2000	3000	6000
At 16 Bar ΔP	15	18	30	60	120	150	230	260	400	700	1100	1600	2500	4300
Actuator (ITQ)	0040	0040	0040	0080	0160	0160	0240	0350	0500	0800	2000	2000	3000	6000

*ΔP = Differential Pressure. The torque values listed are applicable for liquids media. For dry media service, we recommend to increase the torque by 20%.
*The specification is subject to change without further notice