



APPLICATION

Suitable for water, oil, air, gases and others non-abrasive media
(Refer to corrosion resistance table for valve materials selection).

BUTTERFLY VALVE RUBBER LINED WAFER TYPE (BUILT-IN TAMPER SWITCH)

DUCTILE IRON / CARBON STEEL / STAINLESS STEEL

SPECIFICATION

Face to Face Dimension	BS EN 558-1 and API 609
Standard Compliance	Conform to BS EN593 and API 609
End Connection	Wafer type to suit DIN, BS, ANSI and JIS Flanges
Pressure Rating	16 Bar for DN 50 to DN 600
Temperature (Seat)	-10°C to 80°C NBR, -15°C to 120°C EPDM -10°C to 150°C Viton
Top Flange Dimensions	ISO 5211
Actuation	Gear Operated

MATERIALS

PARTS	FIG. 3W3-TS
1. Body	*Ductile Iron / Carbon Steel / Stainless Steel
2. Bushing	PTFE
3. Shaft	*Stainless Steel AISI 410 / AISI 304 / AISI 316
4. Seat	*NBR (Buna-N) / EPDM / Viton / PTFE (Teflon)
5. Disc	*Ductile Iron / Al. Bronze / Stainless Steel
6. Taper Pin	Stainless Steel
7. O-Ring	NBR (Buna N) Rubber
8. Key	Carbon Steel

*Note : Standard Material

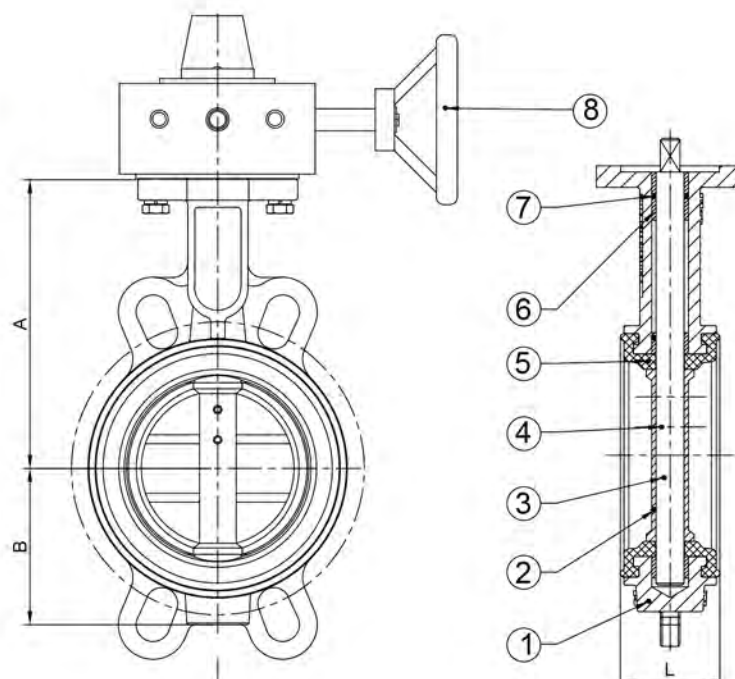


FIG 3W3-TS

DIMENSION (mm)

Size (mm)	50	65	80	100	125	150	200	250	300
L	43	46	46	52	56	56	60	68	78
A	110	136	142	163	176	190	230	265	300
B	54	64	69	85	102	120	148	188	217

*The specifications are subject to change without further notice



APPLICATION

Suitable for water, oil, air, gases and others non-abrasive media
(Refer to corrosion resistance table for valve materials selection).

BUTTERFLY VALVE RUBBER LINED GROOVED TYPE (BUILT-IN TAMPER SWITCH)

DUCTILE IRON / AL. BRONZE / STAINLESS STEEL

SPECIFICATION

Face to Face Dimension	BS EN 558-1 and API 609
Standard Compliance	Conform to BS EN593 and API 609
End Connection	Grooved Type to suit BS or API Pipe
Pressure Rating	16 Bar for DN 50 to DN 600
Temperature (Seat)	-10°C to 80°C NBR, -15°C to 120°C EPDM -10°C to 150°C Viton
Top Flange Dimensions	ISO 5211
Actuation	Gear Operated

MATERIALS

PARTS	FIG. 3W3-TS
1. Body	*Ductile Iron / Al. Bronze / Stainless Steel
2. Bushing	PTFE Teflon
3. Shaft	*Stainless Steel AISI 410 / AISI 304 / AISI 316
4. Disc	*Ductile Iron (Nickel plated) / SS304 / SS316
5. O-Ring	NBR (Buna N) / EPDM Rubber
6. Key	Carbon Steel

*Note : Standard Material

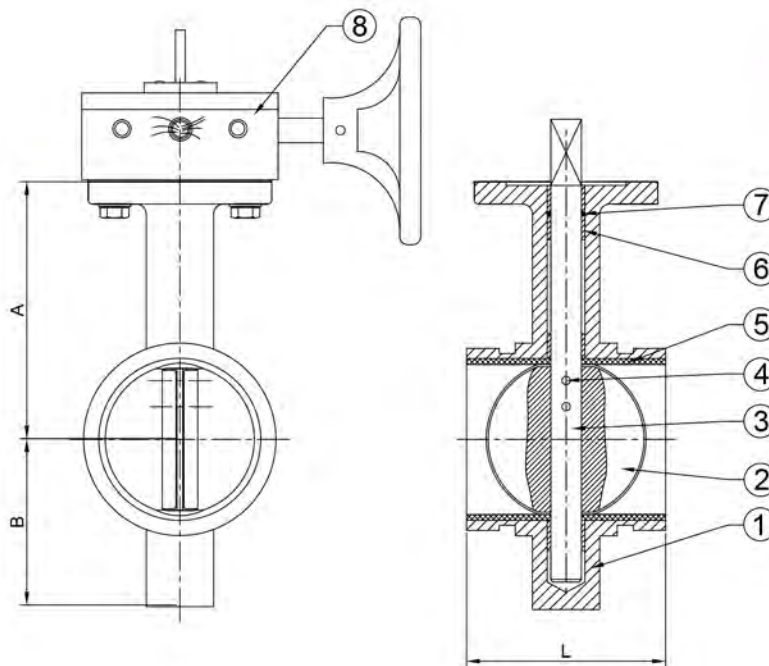


FIG 3W3-TS

DIMENSION (mm)

Size (mm)	50	65	80	100	125	150	200	250	300
L	84.6	97.8	97.8	111.3	148.8	148.8	158	160	166
A	112	122	128	151	162	193	213	272	305
B	66	72	78	94	113	127	147	184	216

*The specifications are subject to change without further notice