



APPLICATION

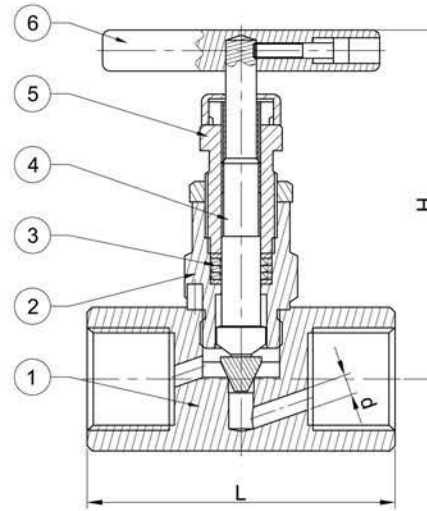
Suitable for water, oil, air, gasses and others non-abrasive media
(Refer to corrosion resistance table for valve materials selection).

SPECIFICATION

| | |
|---------------------|-------------------------------|
| End Connection | Screwed End BSP Female Thread |
| Working Pressure | 6000 PSI |
| Working Temperature | Up to 200°C |

MATERIALS

| PARTS | FIG. 97 |
|--------------|--------------------------|
| 1. Body | Stainless Steel AISI 316 |
| 2. Bonnet | Stainless Steel AISI 316 |
| 3. Packing | PTFE |
| 4. Stem | Stainless Steel AISI 316 |
| 5. Gland Nut | Stainless Steel AISI 316 |
| 6. Handle | Stainless Steel AISI 316 |



NEEDLE VALVE

(6000 PSI)
STAINLESS STEEL



FIG 97

DIMENSIONS (mm)

| Size (inch) | 1/4 | 3/8 | 1/2 | 3/4 | 1 |
|-------------|------|------|-----|-----|-------|
| L | 45 | 50 | 60 | 65 | 83 |
| d | 3 | 3 | 4 | 5 | 7 |
| H | 76.5 | 79.5 | 103 | 108 | 124.5 |

*The specifications are subject to change without further notice