



## APPLICATION

Suitable for water, oil, gasses and non-abrasive media  
(Refer to corrosion resistance table for valve materials selection).

## SPECIFICATION

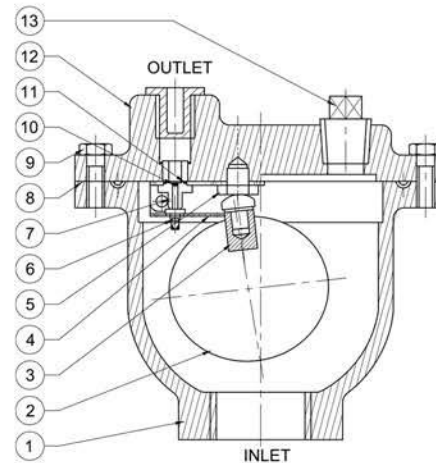
End Connection           Screwed End BSPT  
Working Temperature    Up to 120°C  
Pressure Rating           PN16

# AUTOMATIC AIR VENT

## CAST IRON

## MATERIALS

PARTS	FIG. 1
1. Body	Cast Iron A126 CLASS B (EN-JL1040)
2. Float Ball	Stainless Steel AISI 304 (BS970 304S15)
3. Lever Frame	Stainless Steel AISI 304 (BS970 304S15)
4. Float Arm	Stainless Steel AISI 304 (BS970 304S15)
5. Locator	Stainless Steel AISI 304 (BS970 304S15)
6. Pivot Pin	Stainless Steel AISI 304 (BS970 304S15)
7. Pin Retainer	Stainless Steel AISI 304 (BS970 304S15)
8. Gasket	EPDM Rubber
9. Cover Bolt	Carbon Steel A307B
10. Orifice Button	VITON Rubber
11. Seat	Stainless Steel AISI 304 (BS970 304S15)
12. Cover	Cast Iron A126 CLASS B (EN-JL1040)
13. Plug	BRASS B16 (CuZn39Pb3)



**FIG 1**

## DIMENSIONS (mm)

Size (inch)	INLET SIZE	OUTLET SIZE	ORIFICE SIZE
½ INCH	1/2" BSP	1/2" BSP	1/16"
¾ INCH	3/4" BSP	1/2" BSP	1/16"
1 INCH	1" BSP	1/2" BSP	1/16"

\*The specifications are subject to change without further notice