

## Vertical Indicator Post

FIG. F0600-IP

### Specifications

- Meet or exceed the requirements of NFPA 24 standard.
- Indicates the state of the valve OPEN or SHUT position.
- Target nut to allow 13 to 51 turns for F0600-IP.
- "L" shaped wrench handle fitted with a secure padlock (provided by user).
- Protected windows.
- Easily adjustable indicator OPEN and SHUT targets.

- UL/ULC 789 listed and FM 1110 approved.
- GOST certified.

### Corrosion Protection

- Spray painted interior and exterior meet or exceed all applicable of AWWA C550 standard.
- Stand Barrel: Black Bitumen coated.

### Options

- Fusion bonded coating interior and exterior.
- Tapped supervisory tamper switch.
- Operating nut: Bronze ASTM B584 C84400/B62 C83600.
- Operating carrier nut: Bronze ASTM B584 C84400/B62 C83600.
- Stainless steel fasteners: A2-70 or A4-70.

### Material Specifications

Part	Material	ASTM Specification
Upper Body	Cast Iron	A126 Class B
Cap	Cast Iron	A126 Class B
T-Head Bolt	Carbon Steel	A105
Nut	Carbon Steel	A105
Operating Nut	Stainless Steel	A351 Grade CF8
Screw	Carbon Steel	A105
Retaining Ring	Spring Steel	ASTM UNS1066
Target Carrier Nut	Stainless Steel	A351 Grade CF8
Target Plate	Aluminum Alloy	B26
Windows	Plexiglass	Commercial
Gasket	Rubber	D2000 NBR
Hex Head Cap Screws	Carbon Steel	A105
Operating Wrench	Ductile Iron	A536 Grade 65-45-12
Target lock Stud	Carbon Steel	A105
Stud Nut	Carbon Steel	A105
Operating Rod	Carbon Steel	A322 Grade 1345
Plug	Malleable Iron	A47 Grade 22010
Stand Barrel	Carbon Steel	A53 Type S Grade A
Locking Bolts	Carbon Steel	A307 Grade B
Locking Nuts	Carbon Steel	A105
Base Flange	Cast Iron	A126 Class B
Crane Coupling	Ductile Iron	A536 Grade 65-45-12
Cotter Pin	Stainless Steel	A276 Grade 304

### Schematic

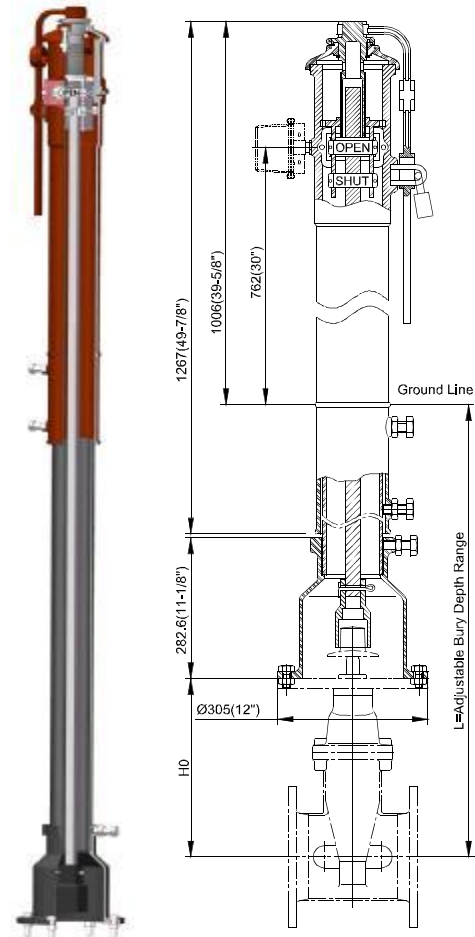


FIG. F0600-IP (Size 4" to 16")

### Dimension Data for WEFLO Vertical Indicator Post (mm/inch)

Size	4	6	8	10
Turns to Open	13	20	26	33
H0	252/9.92	355/13.97	444/17.48	535/21.06
L	Min.	820/32.28	920/36.22	1010/39.76
	Max.	1675/65.94	1775/69.88	1865/73.42

Size	12	14	16
Turns to Open	39	45	51
H0	617/24.29	727/28.62	792/31.18
L	Min.	1180/46.45	1290/50.8
	Max.	2035/80.1	2145/84.45

### Notes

- Designs, materials and specifications shown are subject to change without notice due to the continuous development of our products.