

Wafer Butterfly Valve, Gear Operated

FIG. F0811-300

Specifications

- Single piece through shaft.
- Splined Drive.
- Outdoor and indoor rated.
- Vulcanized seat design for bubble-tight shutoff.
- Flag type position indicator.
- Built-in supervisory switch.
- Face to face dimension complies with ASME B16.10 Narrow and EN558 series 20.
- Connected flange complies with ASTM B16.5 Class 150 and EN1092 PN10/16.

- CNPP certificated.

Working Pressure and Temperature

- 300 psi rated @ -10°C to 82°C.

Corrosion Protection

- Fusion bonded coating meet or exceed all applicable of AWWA C550 standard.

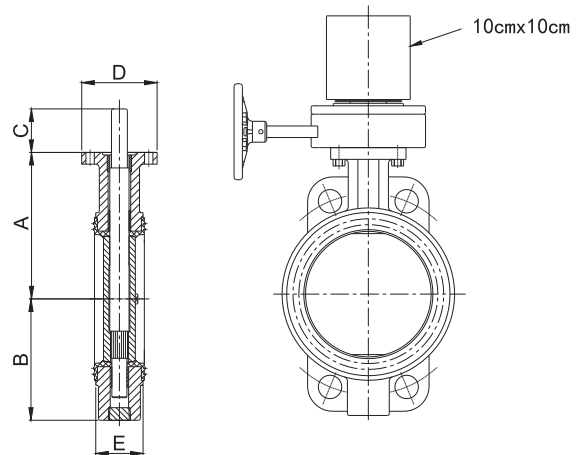
Options

- 200 psi or 250 psi rated.
- Other flange types available upon request.

Material Specifications

Part	Material	Specification
Body	Ductile Iron	EN1563 EN-GJS-450-10
Seat	Rubber	EN681 EPDM
Disc	Ductile Iron	EN1563 EN-GJS-450-10
Shaft	Stainless Steel	EN10088 X17CrNi 16-2
Bushing	Brass	EN12168, CuZn39Pb3
Housing	Grey Cast Iron	EN1561 EN-GJL-250
Fasteners	Carbon Steel	EN 24017 Gr 4.8

Schematic



Main Dimensions (mm/inch)

Size	A	B	C	D	E
2	110/4.33	74/2.91	52/2.05	90/3.54	43/1.69
2.5	118/4.65	85/3.35	52/2.05		46/1.81
3	130/5.12	95/3.75	52/2.05		46/1.81
4	145/5.71	115/4.55	52/2.05		52/2.06
5	160/6.30	130/5.10	52/2.05		56/2.19
6	175/6.89	145/5.70	52/2.05		56/2.19
8	200/7.87	170/6.70	72/2.83	126/4.96	60/2.38
10	250/9.84	210/8.30	72/2.83		68/2.70
12	275/10.83	240/9.50	72/2.83		79/3.13

Notes

• Designs, materials and specifications shown are subject to change without notice due to the continuous development of our products.